



GOVERNMENT OF PAKISTAN  
(CABINET DIVISION)  
INTELLECTUAL PROPERTY ORGANIZATION  
THE PATENT OFFICE  
**KARACHI**



To,

Dated: 17-08-2009

Mr. Munir Ahmed,  
Director (Admn.),  
IPO-Pakistan,  
**Islamabad.**

**Subject: WEEKLY NOTIFICATION OF PATENT OFFICE FOR THE  
WEEKENDING 07-08-2009 TO BE PUBLISHED 19-08-2009 IN THE  
GAZETTE OF PAKISTAN PART-V.**

Sir,

Reference to IPO letter dated 12-5-2008 forwarding therewith copy of letter No. 18/IPO/2008/ RA-IV dated 23-4-2008 from Cabinet Division on the above subject.

A manuscript copies of the weekly notification regarding application filed, application accepted and sealing fee due is enclosed herewith for onward transmission to the Cabinet Division for Publication in the next issue of the Gazette of Pakistan (Part –V)

**(Mrs. Yasmeen Abbasi)**  
Controller of Patents  
Ph: 9215488

**ENCL: Six pages.**

## NEW APPLICATIONS FOR THE PATENTS

The dates shown in the crescent brackets are the dates claimed under section 86 of the Patents Ordinance 2000.

### 03-08-2009

716/2009	Bayer CropScience AG, Germany (Priority 24-07-2000 Germany) <b>Divisional</b>	“Substituted sulfonylaminobenzoic acid and their preparation”
717/2009	Novartis AG, Switzerland (Priority 22-04-1996 Switzerland) <b>Divisional</b>	“A salt of a heterocyclic azaheptane compound”
718/2009	Deere & Company, USA (Priority 12-08-2008 USA)	“Cotton picker spindle with grease reservoir and a grease and dirt seal”
719/2009	Novartis AG, Switzerland (Priority 04-08-2008 Europe)	“Organic compounds”
720/2009	Novartis AG, Switzerland (Priority 05-08-2008 USA)	“Compositions and methods for antibodies targeting complement protein C5”

### 04-08-2009

721/2009	Carpi Tech BV Amsterdam, Chiasso Branch, Switzerland (Priority 11-09-2008 Italy)	“Method and system for punctual fastening a waterproofing membrane to hydraulic works”
722/2009	Hexima Limited, Australia (Priority 05-08-2008 USA)	“Anti pathogen systems”
723/2009	Boehringer Ingelheim International GmbH., Germany (Priority 06-08-2008 USA)	“Treatment for diabetes in patients inappropriate for metformin therapy”

724/2009	Reckitt Benckiser Healthcare (UK) Limited, United Kingdom (Priority 06-08-2008 UK)	“Formulation”
725/2009	Novartis AG, Switzerland (Priority 06-08-2008 Europe)	“Organic compounds”
726/2009	Vestergaard Frandsen SA, Switzerland (Priority 06-08-2008 Denmark)	“Insecticidal polymer matrix comprising pbo and DM”
727/2009	Vestergaard Frandsen SA, Switzerland (Priority 06-08-2008 Denmark)	“Insecticidal polymer matrix comprising HDPE and LDPE”
728/2009	Novartis AG, Switzerland (Priority 06-08-2008 Europe)	“Organic compounds”
729/2009	Oerlikon Textile Components GmbH., Germany (Priority 06-08-2008 Germany)	“Top roller carrying and weighting arm”

**05-08-2009**

730/2009	Novartis AG, Switzerland (Priority 07-12-1998 UK) <b>Divisional</b>	“A process for preparing a stabilized composition comprising a rapamycin and an antioxidant”
731/2009	Sanofi-Aventis, France (Priority 07-08-2008 Europe)	“Use of dronedarone for the preparation of a medicament for the prevention of stroke or transient ischemic attack”
732/2009	Novartis AG, Switzerland (Priority 07-08-2008 Europe)	“Organic compounds”
733/2009	Bayer Schering Pharma Aktiengesellschaft, Germany (Priority 08-08-2008 Europe)	“Progestin-containing drug delivery system”

734/2009 Dr. Shaista Jabeen Khan,  
Aneeia Fatima,  
Dr. Nusrat Ejaz,  
Dr. Naheed Abdullah,  
PCSIR, Lahore,  
Pakistan

“A process for the production of tomato juice-A Functional food”

735/2009 Muhammad Yasin Khan,  
Chichawatni,  
Pakistan

“Instant solar altitude meter”

**06-08-2009**

736/2009 Centocor Ortho Biotech Inc.,  
Horsham, PA.  
USA.  
(Priority 20-08-2008 USA)

“Engineered anti-IL-13 antibodies, compositions, methods and uses”

737/2009 Vlaamse Instelling Voor  
Technologisch Onderzoek (Vito),  
Belgium  
(Priority 20-07-2005 Europe)  
**Divisional**

“Salinity gradient power reverse electro dialysis plant and use thereof”

738/2009 Chiesi Farmaceutici S.p.A.,  
Italy  
(Priority 08-08-2008 Europe)

“Quinuclidine carbonate derivatives and medicinal composition thereof”

739/2009 Ms. Mehjabeen,  
Dr. Shakeel Ahmad,  
Habib Ur Rehman Athar,  
Mrs. Lubna Iqbal,  
Karachi,  
Pakistan

“Herbal composition for fungal and leishmania treatment”

740/2009 Schering Corporation,  
USA  
(Priority 07-08-2008 USA)

“Pharmaceutical formulations of an HCV protease inhibitor in a solid molecular dispersion”

741/2009 Glaxo Wellcome Manufacturing Pte  
Ltd.,  
Singapore  
(Priority 08-08-2008 USA)

“Novel treatment”

742/2009	Dr. Abid Hasnain, Ms. Tahira Mohsin Ali, Karachi, Pakistan	“A process for the fabrication of an apparatus to provide an easy and less time consuming speed of reactivity of baking powders”
743/2009	Sameera Khalid, Islamabad, Pakistan	“Barber family kit”
744/2009	Merck & Co., Inc., USA Scynexis, Inc., USA (Priority 12-08-2008 USA)	“Antifungal agents”
745/2009	Masroor Elahi Babar, Muhammad Imran Shabbir, Muhammad Nawaz, Lahore, Pakistan	“PRKAG3 alleles and use of the same as genetic markers for specie differentiation”

**07-08-2009**

746/2009	Bayer CropScience AG., Germany (Priority 14-08-2008 Germany)	“Herbicide combination comprising dimethoxytriazinyl-substituted difluoromethanesulfonylanilides”
747/2009	Bayer CropScience AG., Germany (Priority 14-08-2008 Germany)	“Herbicide combination comprising dimethoxytriazinyl-substituted difluoromethanesulfonylanilides”
748/2009	Bayer CropScience AG., Germany (Priority 14-08-2008 Germany)	“Herbicide combination comprising dimethoxytriazinyl-substituted difluoromethanesulfonylanilides”
749/2009	Bayer CropScience AG., Germany (Priority 14-08-2008 Germany)	“Herbicide combination comprising dimethoxytriazinyl-substituted difluoromethanesulfonylanilides”
750/2009	Tetraphase Pharmaceuticals, Inc., USA (Priority 08-08-2008 USA)	“C7-fluoro substituted tetracycline compounds”

## **CORRIGENDUM**

In the Gazette of Pakistan Part V, the office have issued a notification vide dated **07-08-2009** under the headings “**NEW APPLICATION FOR THE PATENTS**”. The following correction is as under:

### **NEW APPLICATION FOR THE PATENTS**

<b>Application No.</b>	<b>Date</b>	<b>Applicant</b>	<b>Title</b>
683/2009	24/07/2009	National Center of Excellence in Molecular Biology, Lahore <b>DIVISIONAL</b>	“A process for modification of recombinant human interferon for therapeutic use”
684/2009	24/07/2009	National Center of Excellence in Molecular Biology, Lahore <b>DIVISIONAL</b>	“ A method of purification of the recombinant protein products”

**REGISTRATION OF ASSIGNMENT UNDER SECTION 55(2) RULE 37(b)**  
**OF THE PATENTS ORDINANCE 2000**

In the matter of Patent No. 137884 of 28-9-2001 Priority date 2-10-2000 (USA). Granted to: - **1. PHARMACIA & UPJOHN S.p.A**, an Italian company of Via Robert Koch 1.2, 20152 Milan, Italy and **2. PHARMACIA & UPJOHN COMPANY**, a corporation of State of Delaware, United States of America, 301 Henrietta Street, Kalamazoo, Michigan 49001, United States of America.

In pursuance of an application received on 22-11-2008.

The following entry has been made in the Register of Patents:-

NERVIANO MEDICAL SCIENCES S.r.L a registered company of Italy of Viale Pasteur, 10, Nerviano (MI), Italy20014, as proprietor No. 2, by virtue of deed of assignment dated 15<sup>th</sup> march, 2007 made between Pharmacia & Upjohn Company as assignor of the ONE PART and NERVIANO MEDICAL SCIENCES S.r.L as assignee of the OTHER PART.

## NOTIFICATION

### **PROCEEDING UNDER SECTION 42 OF PATENT ORDINANCE, 2000**

Any person may give notice of opposition to the amendment proposed in the under mentioned patent No. 139666 Anti dated 17-11-2002 (Priority date 13-7-2001 Japan) lodging Form 7 of the Patent Rules, 2003 together with the prescribed fee of Rs. 750/- at any time within two months from the date of advertisement in the Gazette, at the Patent Office, 2<sup>nd</sup> Floor Kandawala Building, M.A. Jinnah Road, Karachi.

AstraZeneca UK Limited, a British Company of 15 Stanhope Gate, London W1Y 6LN, United Kingdom.  
SEEK TO AMEND THE Specification and Claims as above for the invention entitled “A process for preparing a compound of 2- (N-hydro-carbonsulfonylamino) pyrimidine”

The proposed amendment is desired by way of correction.

The proposed amendment may be inspected in the Patent Office.

**PROCEEDING UNDER SECTION 45 OF THE ORDINANCE 2000.**

Notice is hereby given that an application under section 45 of the Patents Ordinance, 2000 for restoration of a lapsed Patent No. 138711, dated: 14-10-2003 for the invention entitled “Novel multi-layered Film Packaging for food products”.

Which ceased on 14-10-2007 has been left at the Patent Office 18-6-2009 on behalf of the Patentee, Tapal tea (Private) Limited a Pakistan Company of; Plot 40, Sector 15 Korangi Industrial Area Karachi – 74900 Pakistan.

Any person may give notice of opposition to the restoration by lodging form P-7 of the Patent Rules 2003, accompanied by the prescribed fee of Rs. 750/- of the Patent Office, 2<sup>nd</sup> Floor Kandawala Building, M.A. Jinnah Road, Karachi within two months from the date of advertisement in the Gazette.

Will appear in the Gazette. \_\_\_\_\_ 2009.

**PROCEEDING UNDER SECTION 45 OF THE ORDINANCE 2000.**

Notice is hereby given that an application under section 45 of the Patents Ordinance, 2000 for restoration of a lapsed Patent No. 138746, dated: 12-11-2003 for the invention entitled “Tea Containment Embodiments”.

Which ceased on 12-11-2007 has been left at the Patent Office 18-6-2009 on behalf of the Patentee, Tapal tea (Private) Limited a Pakistan Company of; Plot 40, Sector 15 Korangi Industrial Area Karachi – 74900 Pakistan.

Any person may give notice of opposition to the restoration by lodging form P-7 of the Patent Rules 2003, accompanied by the prescribed fee of Rs. 750/- of the Patent Office, 2<sup>nd</sup> Floor Kandawala Building, M.A. Jinnah Road, Karachi within two months from the date of advertisement in the Gazette.

Will appear in the Gazette. \_\_\_\_\_ 2009.

## NOTIFICATION

### **PROCEEDING UNDER SECTION 42 OF PATENT ORDINANCE, 2000**

Any person may give notice of opposition to the amendment proposed in the under mentioned patent No. 136010 dated 13-10-1997, lodging Form 7 of the Patent Rules, 2003 together with the prescribed fee of Rs. 750/- at any time within two months from the date of advertisement in the Gazette, at the Patent Office, 2<sup>nd</sup> Floor Kandawala Building, M.A. Jinnah Road, Karachi.

ABBOTT LABORATORIES CHAD 0377 Bldg. AP6D-2 100 Abbott Park Road Abbott  
Park, Illinois 60064-3500 United States of America.

SEEK TO AMEND THE Specification/ Claims as above for the invention entitled

“Process for the preparation of 6-0-Substituted Ketolides Having Antibacterial Activity”

The proposed amendment is desired by way of correction.

The proposed amendment may be inspected in the Patent Office.

**REGISTRATION OF ASSIGNMENT UNDER SECTION 55(1) RULE 37(a)**  
**OF THE PATENTS ORDINANCE 2000.**

In the matter of Patent No. 138129 of 21-6-2002, Priority date 11-7-2001 (USA), granted to:-  
**Best Manufacturing Company**, a corporation of the state of Georgia 579 Edison Street  
Menlo, Georgia 30731 U.S.A.

In pursuance of an application received on 2-4-2009

*The following entry has been made in the Register of Patents:-*

**Showa Glove Co. d/b/a Best Glove, Inc.**, a company incorporated in United States of America having its address at 579 Edison Street Menlo, Georgia 30731, as proprietor by virtue of Deed of Assignment dated 27<sup>th</sup> August 2008 made between, **Best Manufacturing Company**, as Assignor of the one part and **Showa Glove Co. d/b/a Best Glove, Inc** as Assignee of the other parts.

## NOTIFICATION

### **PROCEEDING UNDER SECTION 42 OF PATENT ORDINANCE, 2000**

Any person may give notice of opposition to the amendment proposed in the under mentioned patent No. 138934 dated 9-8-04, Priority date 21-8-03 (Japan) lodging Form 7 of the Patent Rules, 2003 together with the prescribed fee of Rs. 750/- at any time within two months from the date of advertisement in the Gazette, at the Patent Office, 2<sup>nd</sup> Floor Kandawala Building, M.A. Jinnah Road, Karachi.

**OTSUKA PHARMACEUTICAL CO., LTD.** (a juridical person under the laws of Japan), of 9, Kandatsukasa – cho 2-chome, Chiyoda-ku, Tokyo-to, JAPAN.

SEEK TO AMEND THE Specification/ Claims as above for the invention entitled  
**“LACTIC ACID BACTERIA CAPABLE OF STIMULATING MUCOSAL  
IMMUNITY”**

The proposed amendment is desired by way of correction.

The proposed amendment may be inspected in the Patent Office.

**REGISTRATION OF ASSIGNMENT UNDER SECTION 55(1) RULE 37(a)**  
**OF THE PATENTS ORDINANCE 2000.**

In the matter of Patent No. 139318 of 21-12-2005 Priority date 23-12-2004 (Europe).  
Granted to: - **CLARIANT INTERNATIONAL LTD.**, of Rothausstrasse 61 CH - 4132  
Muttenz 1 Switzerland.

In pursuance of an application received on 19-12-2008.

The following entry has been made in the Register of Patents:-

**CLARIANT FINANCE (BVI) LIMITED** of Citco Building, Wickhams Cay, P.O. Box 662, Road Town, Tortola, British Virgin Islands, as proprietor by virtue of Deed of Assignment dated 6<sup>th</sup> October 2008 made between **CLARIANT INTERNATIONAL LTD.**, as Assignor of the One Part and **CLARIANT FINANCE (BVI) LIMITED** as assignee of the Other Part.

**PROCEEDING UNDER SECTION 54(1) RULE 36(1) FOR CHANGE  
OF NAME IN THE REGISTER OF PATENTS.**

In the matter of Patent No. 139203 dated 10-11-2004 (Priority date 10-11-2003 (Spain).  
Granted to: - Almirall Prodesfarma S.A., of Ronda del General Mitre, 151, 08022,  
Barcelona, Spain.

In pursuance of an application received on 26-9-2008

The following entry has been made in the Register of Patents:-

The Address of the patentee has been changed to: Laboratorios Almirall S.A.

**PROCEEDING UNDER SECTION 54(1) RULE 36(1) FOR CHANGE  
OF NAME IN THE REGISTER OF PATENTS.**

In the matter of Patent No. 139019 dated 14-10-2004 (Priority date 20-10-2003 Japan)  
Granted to: - **TOKUE INC, 16-27, Nishiki 3-Chome, Naka-ku, Nagoya-shi, Aichi,  
460-0003, Japan,**

In pursuance of an application received on 3-4-2009

The following entry has been made in the Register of Patents:-

The Address of the patentee has been changed to: **66-1, Honden, Nishi-machi, Chiryu-  
shi, Aichi, 472-0023, Japan**

**PROCEEDING UNDER SECTION 54(1) RULE 36(1) FOR CHANGE  
OF NAME IN THE REGISTER OF PATENTS.**

In the matter of Patent No. 139109 dated 14-12-2004 (Priority date 16-12-2003 (Europe)) granted to: - ALTANA PHARMA AG, of Byk-Gulden-Strasse 2, 78467 Konstanz, Germany.

In pursuance of an application received on 3-4-2009

The following entry has been made in the Register of Patents:-

The Address of the patentee has been changed to: Nycomed GmbH.

**REGISTRATION OF ASSIGNMENT UNDER SECTION 55(1) RULE**  
**37(a) OF THE PATENTS ORDINANCE 2000.**

In the matter of Patent No. 138701 of 24-11-2003 Priority Date 28-2-2003 (USA) Granted to:- **1. ONCOTHERAPY SCIENCE, INC**, (a Japanese Corporation), of 3-16-13, Shirokanedai, Minato – ku, TOKYO 108-0071, **JAPAN**, **2. JAPAN AS REPRESENTED BY THE PRESIDENT OF THE UNIVERSITY OF TOKYO** (Nationality: Japan), of 3-1, Hongo 7- chome, Bunkyo – ku, TOKYO 113-8654, **JAPAN**.

In pursuance of an application received on 9-12-2006.

*The following entry has been made in the Register of Patents:-*

**ONCOTHERAPY SCIENCE, INC**, (a Japanese Corporation), of 2-1 Sakado 3-Chome, Takatsu-ku, Kawasaki-shi, KANAGAWA 213-0012, **JAPAN**, as proprietor No. 2 by virtue of Deed of Assignment dated 6<sup>th</sup> September, 2006 made between **JAPAN AS REPRESENTED BY THE PRESIDENT OF THE UNIVERSITY OF TOKYO** as Assignor of the **ONE PART** and **ONCOTHERAPY SCIENCE, INC**, the Assignee of the **OTHER PART**.

**REGISTRATION OF ASSIGNMENT UNDER SECTION 55(1) RULE**  
**37(a) OF THE PATENTS ORDINANCE 2000.**

In the matter of Patent No. 139123 of 5-10-2004 Priority date 7-10-2003 (Europe).  
Granted to: - **Clariant International Ltd.**, of Rothausstrasse 61, CH-4132 Muttenz,  
Switzerland.

In pursuance of an application received on 29-4-2009.

The following entry has been made in the Register of Patents:-

**CLARIANT FINANCE (BVI) LIMITED**, of Citco Building, Wickhams Cay, P.O.Box  
662, Road Town, Tortola, British Virgin Islands, as proprietor by virtue by deed of  
assignment dated 19<sup>th</sup> March, 2009 made between Clariant International Ltd as assignor of  
the One Part and Clariant Finance (BVI) Limited as assignor of the Other Part.

**PROCEEDING UNDER SECTION 54(1) RULE 36(1) FOR CHANGE  
OF NAME IN THE REGISTER OF PATENTS.**

In the matter of Patent No. 137944, dated: 19-11-2001, priority

Date 22-11-2000 (Europe) Granted to: - **ALTANA Pharma AG**, of Byk-Gulden-Str. 2, 78467 Konstanz,  
Germany.

In pursuance of an application received on 3-4-2009

The following entry has been made in the Register of Patents. The Name of

The Patentee has been changed to: **NYCOMED GmbH**

**PROCEEDING UNDER SECTION 54(1) RULE 36(1) FOR CHANGE  
OF NAME IN THE REGISTER OF PATENTS.**

In the matter of Patent No. 138871 dated 25-3-2004 (Priority Date – 27-3-2003 Europe)  
granted to: - ALTANA PHARMA AG, of Byk-Gulden-Strasse 2, 78467 Konstanz,  
Germany.

In pursuance of an application received on 3-4-2009

The following entry has been made in the Register of Patents:-

The Address of the patentee has been changed to: Nycomed GmbH.

**PROCEEDING UNDER SECTION 54(1) RULE 36(1) FOR CHANGE  
OF NAME IN THE REGISTER OF PATENTS.**

In the matter of Patent No. 138447 dated 18-2-2003 (Priority date 20-2-2002 (Germany & Europe) Granted to: - ALTANA PHARMA AG, of Byk-Gulden-Strasse 2, 78467 Konstanz, Germany.

In pursuance of an application received on 3-4-2009

The following entry has been made in the Register of Patents:-

The Address of the patentee has been changed to: Nycomed GmbH.

## APPLICATION ACCEPTED

Notice is hereby given that the person interested in opposing the grant of Patents to any of the applications referred to below at any time within four months from the date of this Gazette may give notice at the Patent Office on the prescribed Form P-7 of the Patents Rules 18(1) of 2003.

The six figures number shown in the right hand side are those given to applications on acceptance of the complete specification under which the specification will be printed and subsequent proceeding taken.

The figures shown within square brackets after the title of inventions indicate their classification index at acceptance.

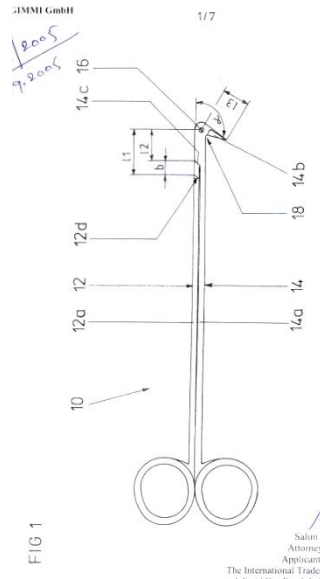
Typed copies of the specification which are to open to public inspection can be supplied by the Patent Office on payment of the prescribed charges which may be ascertained on application to the office.

879/2005	GIMMI GmbH., Germany	“Surgical scissors with protection from unnecessary load”
----------	-------------------------	---

B26B 13/02

**140213**

The invention relates to the field of surgery. The problem with existing surgical scissors is that distal ends of scissors break easily when under load and when both joint parts are opened particularly wide. The task of the invention lies in finding a pair of scissors in which the distal ends are protected from unnecessary load which could lead to damage. The task is solved through the present invention where the distance from the axis of rotation to the end tilt of at least one of the joint is bigger than the distance from the axis of rotation to the distal end of the element of scissors. This implies that even at a big opening angle of both joint parts, the distal end of the element of the scissors of the first joint part cannot hit on the handle of the other joint point, but it can pass it by. The sensitive distal end of the elements of scissors is therefore protected from (a) breaking when the scissors are opened too wide and (b) the handle hitting on the other joint part.



350/2006 Urea Casale S.A.  
Switzerland

“Process for urea production and plant”

CO7C 273/06

**140214**

In a process for urea production of the type comprising the reaction between ammonia and carbon dioxide in a high-pressure reactor followed by an auto thermal stripping of the resulting reaction mixture so as to obtain a gaseous flow comprising ammonia and carbon dioxide and a liquid flow comprising urea and residual carbamate in aqueous solution and by a stripping of said gaseous flow in units operating at medium pressure, a gaseous flow coming from said units operating at medium pressure and comprising ammonia and carbon dioxide is partially condensed in a condenser to give a mixed liquid/gaseous flow. The uncondensed gases comprising ammonia and carbon dioxide are separated from the liquid phase in a separator and subjected to washing in a packed portion of a column in countercurrent with a flow of a carbonate solution obtaining a gaseous flow essentially consisting of ammonia and a liquid flow comprising a carbamate solution in which the carbon dioxide contained in said uncondensed gases has been absorbed.

This process allows an effective recovery of

ammonia without carbon dioxide for the recycling to the synthesis reactor.

459/2006 Novartis AG.,  
Switzerland

“Package for goods including chewing gums, tablets and capsules”

B65D 75/36 B65D 77/04

**140215**

A package comprises an outer package (2) having two members (20,21) connected to one another via a flexible web portion (22). Each member (20,21) comprises a base panel (200,210) and two opposite side wall panels (201,202,211,212). One of the side wall panels (201,211) has an attachment (204,214) portion extending towards the opposite side wall panel (202, 212). An inner package comprises blister pack members (3) comprising an edge portion (304, 314) attached to the attachment portion (204,214) of the outer package member (20,21) such, that in closed state the goods carried by the blister pack member are facing towards the base panel (200,210). The members (20,21) are folded towards each other via the flexible web portion (22). In an open state the outer package members (20,21) are unfolded and the members (3) can be accessed by folding the blister pack member (30,31) away from the opposite side (202,212) wall panel.

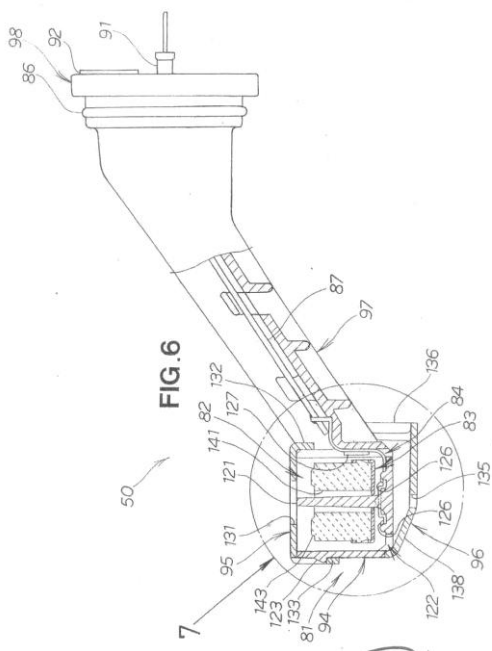
661/2006 Honda Motor Co.,  
Limited,  
Japan

“ Liquid level detection apparatus for engine oil”

GO1F 23/64 FO1M 11/12

**140216**

A float-type oil-level detection apparatus is provided for detecting the surface of engine oil. A housing (81) for housing a float (82) has a through-hole (136) in the sidewall of the side opposite from the sidewall that faces the movement of the oil dipper (69).



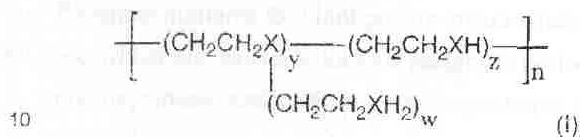
786/2006 Adelaide Research and Innovation Pty Limited, Australia Commonwealth scientific and Industrial Research Organisation, Australia

“Chelating agent for micronutrient fertilizer”

CO5G 3/00 CO5D 9/02

**140217**

The invention describes a method and product for chelating micronutrients when used to provide the micronutrients to a plant, which comprises applying to an area of the plant or soil/substrate surrounding the plant an effective amount of a plant fertiliser composition comprising a chelating polymer having the general formula (I), capable of forming coordinate bonds with the micronutrients, transporting the micronutrients across a membrane of the plant and releasing the micronutrients for use by the plant.



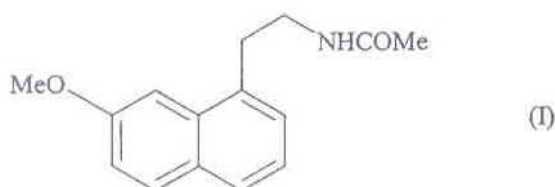
903/2006 Les Laboratoires  
Servier,  
France

“crystallien form V of agomelatine”

CO7C 233/18 CO7C 231/24 A61K 31/165

**140218**

Crystalline form V of the compound of formula (I):



Characterised by its powder X-ray diffraction diagram, a process for its preparation and pharmaceutical composition containing it.

1150/2006 Bayer CropScience  
AG.,  
Germany

“Oil-based suspension concentrates of active agrochemical”

AO1P 7/00

**140219**

Agrochemical formulation comprising at least one room-temperature-solid active substance from the class of the neonicotinoids, at least one room-temperature-solid active substance from the class of the pyrethroids, at least one penetrant, at least one vegetable oil, cyclohexanone, at least one nonionic surfactant and/or at least one anionic surfactant, and one or more additives, process for producing it.

**(MRS. YASMEEN ABBASI)**  
CONTROLLER OF PATENTS  
Tel: 9215488