



GOVERNMENT OF PAKISTAN
(CABINET DIVISION)
INTELLECTUAL PROPERTY ORGANIZATION
THE PATENT OFFICE
KARACHI



To,

Dated: 13-10-2008

Mr. Munir Ahmed,
Director (Admn.),
IPO-Pakistan
Islamabad.

Subject: WEEKLY NOTIFICATION OF PATENT OFFICE FOR THE WEEKENDING 06-09-2008 TO BE PUBLISHED 14-10-2008 IN THE GAZETTE OF PAKISTAN PART-V.

Sir,

Reference to IPO letter dated 12-5-2008 forwarding therewith copy of letter No 18/IPO/2008/ RA-IV dated 23-4-2008 from Cabinet Division on the above subject.

A manuscript copies of the weekly notification regarding application filed, application accepted and sealing fee due is enclosed herewith for onward transmission to the Cabinet Division for Publication in the next issue of the Gazette of Pakistan (Part –V)

(Mrs. Yasmeen Abbasi)
Controller of Patents
Ph: 9215488

ENCL:

GOVERNMENT OF PAKISTAN
THE PATENT OFFICE
2nd Floor, Kandawala Building,
M.A. Jinnah Road,
Karachi

No.2/2/2003-F.Sec.

Dated: 13-10-2008

To,

Mr. Manzoor Ahmed
Section Officer
Cabinet Secretariat
Cabinet Division
Government of Pakistan
Islamabad

Subject: **WEEKLY NOTIFICATION OF PATENT OFFICE FOR THE
WEEKENDING 06-09-2008 TO BE PUBLISHED 14-10-2008 IN THE
GAZETTE OF PAKISTAN PART-V.**

Reference to Cabinet Secretariats letter No. 18/IPO/2008/RA-IV, dated 23rd April 2008. A manuscript copy of the weekly notification regarding application filed, application accepted and sealing fee due etc., is enclosed herewith for onward transmission to the Printing Corporation of Pakistan Press for publication in the next issue of the Gazette of Pakistan Part-V.

(Mrs. Yasmeen Abbasi)
Controller of Patents
Ph: 9215488

ENCL:

NEW APPLICATIONS FOR THE PATENTS

The dates shown in the crescent brackets are the dates claimed under section 86 of the Patents Ordinance 2000.

1053/2008	01-9-2008 Syngenta Limited, United Kingdom (Priority 03-9-07 GB)	“Novel herbicides”
1054/2008	1. Shahina Fayyaz, 2. Tabassum Ara Khanum 3. Salma Javed and 4. Mahreen Gulsher N. N. R. C., University, Karachi	“Pathogenicity of photorhabdus luminescens against galleria mellonella larvae and subterranean termite (Termitida: macrotermis)”
1055/2008	Eli Lilly and Company, USA (Priority 24-1-06 USA) Divisional	“A pharmaceutically acceptable salt of a substituted indole sulfonamide compound”
1056/2008	02-9-2008 Boehringer Ingelheim International GmbH Germany (Priority 04-9-07 Europe)	“Dispensing device”
1057/2008	1. Muhammad Rauf Khan, 2. Muhammad Rahim T.I and 3. Adam Khan Peshawar, Pakistan	“A process for the production of HI-C-guava beverage”
1058/2008	03-9-2008 Sanofi-Aventis France (Priority 04-9-2007 USA)	“Identifying molecules modulating protein-protein interaction”
1059/2008	Sanofi-Aventis France (Priority 05-9-2007 Europe)	“Use of urate oxidase for the treatment or prophylaxis of disorders or indirect sequelae of the heart caused by ischemic or reperfusion events”
1060/2008	Honda Motor Co., Ltd. Japan (Priority 07-9-2007 Japan)	“Fuel lid part structure”

1061/2008	Radford Institute Australia Pty Ltd. Australia, (Priority 04-9-07 Australia)	“Customer satisfaction monitoring system”
1062/2008	AstraZeneca AB, Sweden (Priority 05-9-07 USA)	“Hetrocyclic compounds and methods of use thereof -975”
1063/2008	Bayer CropScience AG, Germany (Priority 26-9-07 Europe)	“Insecticidal derivatives of phospharylatede aminoheterocycles”
1064/2008	Dr. Waqas Wahab Karachi Pakistan	“Tooth positioners method of making the same, and method of positioning teeth using the same”
	<u>04-9-2008</u>	
1065/2008	Lexicon Pharmaceuticals, Inc. USA (Priority 06-9-07 USA)	“Compositions and method of treating immunological and inflammatory diseases and disorders”
1066/2008	TikoMed Ab, Sweden (Priority 05-9-07 USA)	“New use of dextran sulfate”
1067/2008	Beautiful Card Corporation, Taiwan (R.O.C)	“Sim card structure”
1068/2008	Glaxo Group Limited, United Kingdom (Priority 06-9-07 GB)	“Piperazine derivative having affinity for the histamine H3 receptor”
	<u>05-9-2008</u>	
1069/2008	Perachem Limited, United Kingdom (Priority 07-9-07 GB)	“Method and composition”
1070/2008	1. Consejo Superior De Investigaciones Cientificas, Spain 2. Katholieke Universiteit Leuven, Belgium (Priority 07-9-07 GB)	“Improvements in or relating to compositions for the treatment or prophylaxis of viral infections”

1071/2008	<u>06-9-2008</u> Renovo Limited, United Kingdom	“Protein folding”
1072/2008	LES Laboratoires Servier France (Priority 11-9-07 France)	“Association between an anti-atherothrombotic and an angiotensin-converting enzyme inhibitor”
1073/2008	LES Laboratoires Servier France (Priority 11-9-07 France)	1, 2, 4, 5-tetrahydro-3H-benzazepine compounds a process for their preparation and pharmaceutical compositions containing them”

XXXXXXXXXXXXXXXX

APPLICATION ACCEPTED

Notice is hereby given that the person interested in opposing the grant of Patents to any of the applications referred to below at any time within four months from the date of this Gazette may give notice at the Patent Office on the prescribed Form P-7 of the Patents Rules 18(1) of 2003.

The six figures number shown in the right hand side are those given to applications on acceptance of the complete specification under which the specification will be printed and subsequent proceeding taken.

The figures shown within square brackets after the title of inventions indicate their classification index at acceptance.

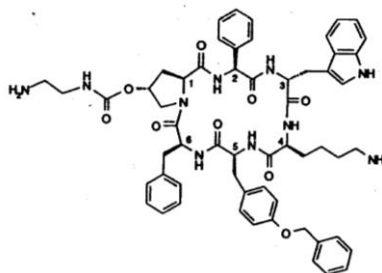
Typed copies of the specification which are to open to public inspection can be supplied by the Patent Office on payment of the prescribed charges which may be ascertained on application to the office.

163/1996	Eli Lilly & Company, USA	“Oral 2-methyl-thieno-benzodiazepine composition” (CO7D, 243/22)	139780
----------	--------------------------------	---	---------------

A solid oral pharmaceutical composition comprising olanzapine as an active ingredient intimately mixed with a bulking agent; binder, disintegrant, a dry binder and a lubricant; wherein such solid oral composition is coated with a polymer selected from the group consisting of hydroxypropyl methylcellulose, hydroxyethyl cellulose, methylhydroxyethylcellulose, sodium carboxymethylcellulose, hydroxypropylcellulose, polyvinyl pyrrolidone, dimethylaminoethyl methacrylatemethylacrylate acid ester copolymer, ethylacrylate-methylmethacrylate copolymer, methylcellulose, and ethylcellulose wherein the polymer coat does not contain polyethylene glycol.

736/2001	Novartis AG, Great Britain	“A somatostatin peptidomimetic compound” (CO7K, 14/655)	139781
----------	-------------------------------	--	---------------

The invention provide a somatostatin peptidomimetic of formula



One of the amino group being optionally in protected form, which has interesting pharmaceutical properties.

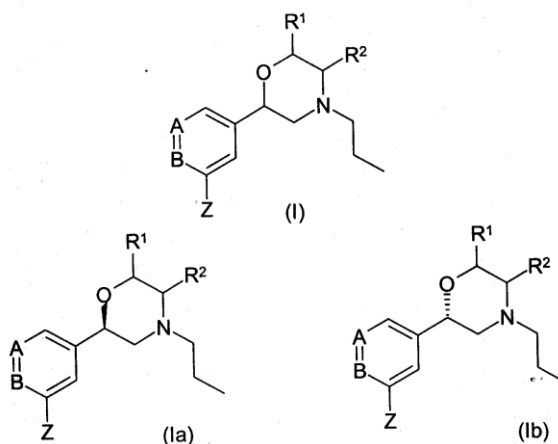
1048/2003 Pfizer Inc.,
USA.

“Morpholine compound”

(CO7D, 265/30)

139782

The present invention provide compound of formula (I), (Ia) and (Ib)



Wherein:

A is selected from C-X and N,

B is selected from C-Y and N,

R₁ is selected from H and (C₁-C₆) alkyl

R₂ is selected from H and (C₁-C₆) alkyl,

X is selected from H, HO, C(O) NH₂, NH₂

Y is selected from H, HO, NH₂, Br, Cl and F

Z is selected from H, HO, F, CONH₂ and CN;

With the provisos that:

for a compound of formula (I), (Ia) or (Ib), when A is C-X, B is C-Y, R₁ is H or

(C₁-C₆) alkyl and R₂ is H or (C₁-C₆)alkyl at least one of

X, Y and Z must be OH; for a compound of formula (I), when A is C-X and B is C-Y, Y is H, Z is H, R1 is H and R2 is H, then X cannot be OH.

994/2004 Aventis Pharma
S.A.,
France.

“{Process for the manufacture of a product of the thiazolo[3,4,5-DE][4,1]benzothiazepine type”

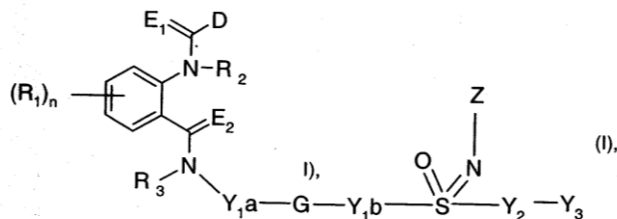
(CO7D, 243/14)

139783

Novel processes for the preparation of a compound of the thiazolo[3,4,5-de][4,1] benzothiazepine type and in particular of 2-imino-9-trifluoromethyl-4,5-dihydro-2H, 7H-thiazolo[3,4,5-de][4,1] benzothiazepine 6,6-dioxide methanesulfonate and (R,S) -2-imino -9-trifluoro-methyl-4,5-dihydro-2H7H-thiazolo[3,4,5-de][4,1]benzo-thiazepine 6-oxide.

1161/2005 Syngenta
Participations AG,
Switzerland.

“A novel anthranilamide compound, process of its preparation “



(A01N, 43/56, CO7D, 401/04)

139784

Compound of formula I

Wherein the substituents are as defined in claim 1, and all stereoisomers and tautomeric forms of the compound of formula I can be used as agrochemical active ingredients and can be prepared in a manner known per se.

358/2006 SmithKline Beecham (Cork) Limited, Ireland. “An oral pharmaceutical N-{3-chloro-4-[(3-fluorobenzyl)oxy]phenyl}-6-[5-({[2-(methanesulphonyl)ethyl]amino}methyl)-2-furyl]-4-quinazolinamine ditosylate monohydrate composition”

(A61K, 9/20)

139785

The present invention encompasses oral pharmaceutical composition for use in the treatment of proliferative disorders. The pharmaceutical composition contain a ditosylate salt of a 4-quinazolineamines as an active ingredient along with (1) at least one binder’ (2) at least one disintegrant’ (3) at least one lubricant; and (4) at least one diluent. The oral pharmaceutical composition exhibit good flow characteristics during the manufacturing process. The composition is also characterized by high drug dissolution properties.

416/2006 AB Enzymes OY, Finland. “Process for the preparation of improved cellulase”

(C12N, 15/80, C11D, 3/386)

139786

The present invention provides novel cellulose fusion proteins, preparation of cellulose fusion proteins and composition of cellulose fusion proteins. The present invention further provides cellulose expression vectors, host cells expressing cellulose and methods for preparing such vectors and cells. Uses of cellulases, cellulose preparation and cellulase composition in the textile, detergent, pulp and paper industries are also provided.

1280/2006 DE LA Rue International Limited, United Kingdom. “A security device for security substrate used for making security documents”

(D21H, 21/42, B42D, 15/00)

139787

The invention relates to a security device for security substrates, such as paper, used for making security documents, such as bank notes, having anti-

counterfeitable features. The security device comprises a carrier of an at least partially light transmitting polymeric material, said carrier being provided with indicia. The indicia comprise a first component being at least one non-alphanumeric pattern which repeats along the length of the device and is formed from at least one fine line, and a second component being alphanumeric characters, the two components being registered to and interlinked with each other.

1379/2006 Tetra Laval
Holdings &
finance S.A.
Pully.

“A method in a roll-fed packaging machine to achieve a stable tubular shape web of a thin packaging material”

(B65B, 9/14)

139788

The invention relates to a method in a roll-fed packaging machine for achieving a stable and reproducible geometry of a forced preformed tubular-shaped web of a thin packaging material when a longitudinal sealing operation is performed to said tubular-shaped web creating a continuous tube. The method is characterized by engaging the tubular-shaped web with a curved envelope surface (9) of a retaining element (5), said envelope surface (9) being formed to at least partly encapsulate the consecutively formed tubular-shaped web, and the engagement being made by means of at least one sub atmospheric pressure drop. The invention also relates to a device for carrying out the method.

1491/2006 Barrick Gold
Corporation,
Canada.

“Thiosulfate generation in situ in precious metal recovery”

(C22B 3/04, C22B 3/44)

139789

Precious metal recovery by thiosulfate leaching where thiosulfate lixiviant is generated in situ employing elemental sulfur generated from partial oxidation of sulfidic precious metal-bearing feed and/or employing reactants from processing effluent.

ingredient to a carrier liquid as the liquid is drawn through the straw. The straw 1 includes a generally elongate tubular body 2 having an internal bore 3 and a sidewall 4. The tube 2 includes first and second filters 5 and 6 disposed at respective first and second ends 7 and 8, of the tube. Together, the first and second filters retain a predetermined measure of soluble active ingredients within the bore of the tube 2, while allowing a carrier liquid to be drawn through the straw, by oral suction. The active ingredient, takes the form of a plurality of solid pellets 9. Each filter is formed by blocking, closing or constricting the tube at or adjacent the corresponding end and providing at least one aperture sized to be sufficiently small to retain the pellets within the tube whilst sufficiently large to allow passage of liquid.

224/2007 Bticino S.P.A.,
Italy.

“Support device for applying an electrical apparatus to an apparatus-mounting rail”

(H02B, 1/052)

139793

A support device (1) for applying an electrical apparatus (2) to an apparatus-mounting rail (3), the support device (1) including fixing means (14, 15, 16) suitable to co-operate with said electrical apparatus (2) to removably fix said electrical apparatus (2) to the support device (1).

Characterized in that said fixing means include: coupling means (14, 15) suitable to be engaged with said electrical apparatus (2) following a relative sliding between the electrical apparatus (2) and the support device (1) to pass from a release position to a coupling position:

Snap-locking elastic means (16) suitable to operate when said coupling position has been reached, said elastic means being such as to allow said relative sliding from the release position to the coupling position and such as to prevent said relative sliding when said coupling position has been reached.

253/2007 Spray Engineering Devices Limited, India. “Appratus for the improved vertical continuous pan for crystallization of sugar”

(C13F, 1/02, C13G, 1/06)

139794

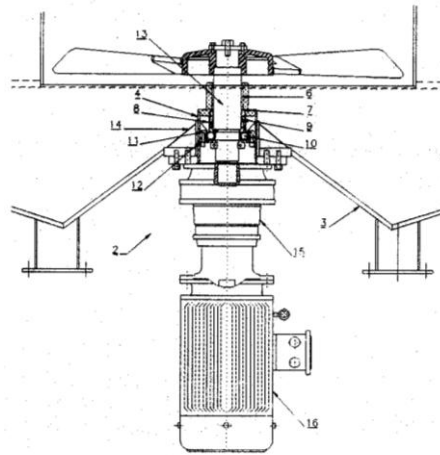
The improved vertical continuous vacuum pan consists of an improved vertical continuous vacuum pan apparatus consisting of eight chambers and a storage or buffer tank at the top, within the existing conventional height, characterized in that each chamber has a bottom mounted mechanical circulator housed in an insulated pocket in the vapour space segment of each chamber and not in additional space above the chamber.

254/2007 Spray Engineering Devices Limited, India. “A vacuum pan mechanical circulator assembly for evaporating-crystallizing sugar solution”

(C13F, 1/02, C13G, 1/06)

139795

The “Vacuum pan mechanical circulator assembly” describes a novel mechanical circulator assembly (2) which is of compact construction and energy efficient. In the present invention, the circulator shaft (13) length has been reduced considerably to only 0.50 -0.56m as compared to conventional shaft length of 5.0 -8.0m (in case of top-mounted mechanical circulators) and 1.7 - 2.5 m (in case of bottom-mounted mechanical circulators). This has been achieved by two factors- positioning of the sealing means & bearing assembly in a special sealing and bearing housing (4) disposed entirely within the vacuum pan: and use of compact & light weight gearbox (15) of inline planetary type having a hollow spline output and hollow input with key arrangement for direct inline flange mounting of the drive (16).



XXXXXXXXXX

NOTIFICATION

PROCEEDING UNDER SECTION 42 OF PATENT ORDINANCE, 2000

Any person may give notice of opposition to the amendment proposed in the under mentioned patent No. 137828, dated 08-08-2001 lodging Form 7 of the Patent Rules, 2003 together with the prescribed fee of Rs. 750/- at any time within two months from the date of advertisement in the Gazette, at the Patent Office, 2nd Floor Kandawala Building, M.A. Jinnah Road, Karachi.

Bioengineering Resources, Inc, (a corporation duly incorporated under the laws of the United States of America), of; 1650 Emmaus Road Fayetteville, Arkansas 72701 USA and later on assigned to Emmaus Foundation , Inc, (Emmaus), an Arkansas nonprofit corporation of; 1650 Emmaus road, Fayetteville, Arkansas 72701, United States of America.

SEEK TO AMEND THE claims of Specification as above for invention entitled
“Method for increasing the production of ethanol from microbial fermentation “

The proposed amendment is desired by way of correction.

The proposed amendment may be inspected in the Patent Office.

NOTIFICATION

PROCEEDING UNDER SECTION 42 OF PATENT ORDINANCE, 2000

Any person may give notice of opposition to the amendment proposed in the under mentioned patent No. 136632 dated 15-12-1998 (Priority date 16-12-1997 GB) lodging Form 7 of the Patent Rules, 2003 together with the prescribed fee of Rs. 750/- at any time within two months from the date of advertisement in the Gazette, at the Patent Office, 2nd Floor Kandawala Building, M.A. Jinnah Road, Karachi.

SmithKline Beecham p.l.c. of New Horizons Court, Brentford, Middlesex TW8 9EP
United Kingdom. A British Company.

SEEK TO AMEND THE Specification/ Claims as above for invention entitled “ A Process for preparing a hydrate of 5-[4-[2-(N-Methyl-N-(2-Pyridyl) Amino) Ethoxy] Benzyl] Thiazolidine -2, 4- Dione, Maleic Acid”

The proposed amendment is desired by way of correction.

The proposed amendment may be inspected in the Patent Office.

NOTIFICATION

PROCEEDING UNDER SECTION 42 OF PATENT ORDINANCE, 2000

Any person may give notice of opposition to the amendment proposed in the under mentioned patent No. 138835 dated 18-02-2004 (Priority date 25-2-2003 USA) lodging Form 7 of the Patent Rules, 2003 together with the prescribed fee of Rs. 750/- at any time within two months from the date of advertisement in the Gazette, at the Patent Office, 2nd Floor Kandawala Building, M.A. Jinnah Road, Karachi.

Otsuka Pharmaceutical Co Ltd (a Corporation organized under the laws of Japan) of 9, Kandatsukasa – cho 2-chome, Chiyoda-ku, Tokyo-to, Japan.

SEEK TO AMEND THE Specification/ Claims of above for the invention entitled “A Pten (Phosphatase and tensin homolog deleted on chromosome ten) Inhibitor which comprising a tetrazolylalkoxy – dihydrocarbostyryl compound ”

The proposed amendment is desired by way of correction.

The proposed amendment may be inspected in the Patent Office.

NOTIFICATION

PROCEEDING UNDER SECTION 42 OF PATENT ORDINANCE, 2000

Any person may give notice of opposition to the amendment proposed in the under mentioned patent No. 137755 dated 22-3-2001 (Priority date 24-3-2000 UK), lodging Form 7 of the Patent Rules, 2003 together with the prescribed fee of Rs. 750/- at any time within two months from the date of advertisement in the Gazette, at the Patent Office, 2nd Floor Kandawala Building, M.A. Jinnah Road, Karachi.

Pharmaceutica Italia S.P.A of via Robert Kach 1,2,20152 Milan, Italy.
SEEK TO AMEND THE Specification / Claims of above for the invention entitled
“ CRYSTALLINE FORM 1 OF CABERGOLINE ”

The proposed amendment is desired by way of correction.

The proposed amendment may be inspected in the Patent Office.

PROCEEDING UNDER SECTION 45 OF THE ORDINANCE 2000.

Notice is hereby given that an application under section 45 of the Patents Ordinance, 2000 for restoration of a lapsed Patent No. 137331, dated: 14-7-2000 for the invention entitled “ A process for preparing a composition to cure Eczema from Melia Azedarach Linn”.

Which ceased on 14-7-2004 has been left at the Patent Office 4-7-2008 on behalf of the Patentee, Dr. Shaheen Faizi, B-2, Gulshan-e-Salim, University Campus, University of Karachi. Prof Bina Shaheen Siddiqui, B-1, Gulshan-e-Salim, University Campus, University of Karachi. Dr. Rubeena Saleem, 198/11, Adam Road Karachi Cantt, Karachi. Prof. Syed Iqbal Ahmed, J.M. 3-41/6, Dr. Tharani Road, Karachi. And Mr. Amir Wasi, 3H 1/1 Nazimabad, Karachi.

Any person may give notice of opposition to the restoration by lodging form P-7 of the Patent Rules 2003, accompanied by the prescribed fee of Rs. 750/- of the Patent Office, 2nd Floor Kandawala Building, M.A. Jinnah Road, Karachi within two months from the date of advertisement in the Gazette.

Will appear in the Gazette. _____ 2008.

PROCEEDING UNDER SECTION 45 OF THE ORDINANCE 2000.

Notice is hereby given that an application under section 45 of the Patents Ordinance, 2000 for restoration of a lapsed Patent No. 138473, dated: 14-4-2003 (Priority date 16-4-2002 for the invention entitled “ Oxidation treatment of a Recycle Stream in Production of Acetic Acid by Methanol Carbonylation”.

Which ceased on 16-4-2006 has been left at the Patent Office 30-5-2008 on behalf of the Patentee, Celanese International Corporation, a Corporation of the State of Delaware, United States of America, of 1601 West LBJ Freeway, Dallas, Texas 75234 United States of America.

Any person may give notice of opposition to the restoration by lodging form P-7 of the Patent Rules 2003, accompanied by the prescribed fee of Rs. 750/- of the Patent Office, 2nd Floor Kandawala Building, M.A. Jinnah Road, Karachi within two months from the date of advertisement in the Gazette.

Will appear in the Gazette. _____ 2008.

REGISTRATION OF ASSIGNMENT UNDER SECTION 55(1) RULE 37(a)
OF THE PATENTS ORDINANCE 2000

In the matter of Patent No. 138343 of 5-4-2004 (Anti date 5-11-2002) Priority dated 30-11-2001 granted to:- **ZIMMER AG**, of Borsigalle 1, 60388 Frankfurt am Main Germany,

In pursuance of an application received on 8-5-2008

The following entry has been made in the Register of Patents:-

Lurgi Zimmer GmbH, of Lurgiallee 5, 60295 Frankfurt, Germany, as proprietor by virtue of Deed of Assignment dated 25th October 2007 made between, **ZIMMER AG**, as Assignor of the one part and, **Lurgi Zimmer GmbH** as Assignee of the other parts.

REGISTRATION OF ASSIGNMENT UNDER SECTION 55(1) RULE 37(a)
OF THE PATENTS ORDINANCE 2000

In the matter of Patent No. 138738 of 20-01-2004 (Priority date 23-01-2003 Germany), granted to:-
ZIMMER AKTIENGESELLSCHAFT, of borsigallee 1, 60388 Frankfurt am Main Germany.

In pursuance of an application received on 08-05-2008.

The following entry has been made in the Register of Patents:-

Lurgi Zimmer GmbH, of Lurgiallee 5, 60295 Frankfurt, Germany, as proprietor by virtue of Deed of Assignment dated 25th October, 2007 made between, **ZIMMER AKTIENGESELLSCHAFT**, as Assignor of the one part and, **Lurgi Zimmer GmbH** as Assignee of the other parts.

PROCEEDING UNDER SECTION 54(1), RULE 36(1) FOR CHANGE OF ADDRESS IN THE REGISTER OF PATENTS.

In the matter of Patent No.136511 dated 20-7-98, granted to: - (1) **USINOR** (a Society formed and existing under the laws of France) of Immeuble “La pacific’ – La Defence 7, 11/13 Cours Valmy 92800 – PUTEAUX, FRANCE. (2) **UGINE SAVOIE** (a Society formed and existing under the laws of France) of Avenue Paul Girod 73400 Ugine, France and later on merged into **DEV’INOX**, with registered office at 11-13 Cours Valmy Immeuble La Pacific, La defense 7 92800 PUTEAUX, France.

In pursuance of an application received on 24-5-2007.

The following entry has been made in the register of Patent: -

The Names/Address of the Patentee has been changed to :- **UGINE SAVOIE IMPHY**
Avenue Paul Girod 73400 Ugine, France.

PROCEEDING UNDER SECTION 54(1), RULE 36(1) FOR CHANGE OF ADDRESS IN THE REGISTER OF PATENTS.

In the matter of Patent No.136511 dated 20-7-98, granted to: - (1) **USINOR** (a Society formed and existing under the laws of France) located at Immeuble ‘La pacific’ – La Defence 7, 11/13 Cours Valmy 92800 – PUTEAUX, FRANCE. (2) **UGINE SAVOIE** (a Society formed and existing under the laws of France) of Avenue Paul Girod 73400 Ugine, France and later on assigned to **DEV’INOX**, with registered office at 11-13 Cours Valmy Immeuble La Pacific, La defense 7 92800 PUTEAUX, France, and then again whose name was changed to **UGINE – SAVOIE IMPHY** with registered office at Avenue Paul Girod 73400 Ugine, France.

In pursuance of an application received on 24-5-2007.

The following entry has been made in the register of Patent: -

The Names of the Patentee has been changed to :- **UGITECH.**

REGISTRATION OF ASSIGNMENT UNDER SECTION 55(1) RULE 37(a)
OF THE PATENTS ORDINANCE 2000

In the matter of Patent No. 136511 of 20-7-98, Granted to:- **1. USINOR** (a Society formed and existing under the laws of France) of Immeuble “La pacific’ – La Defence 7, 11/13 Cours Valmy 92800 – PUTEAUX, FRANCE. **2. UGINE SAVOIE** (a Society formed and existing under the laws of France) of Avenue Paul Girod 73400 UGINE, France.

In pursuance of an application received on 24 -5- 2007.

The following entry has been made in the Register of Patents:-

DEV’INOX, with registered office at 11-13 Cours Valmy Immeuble La Pacific, La defense 7 92800 PUTEAUX, France, as Proprietor No (2) by virtue of Merger of **UGINE SAVOIE** with and into **DEV’INOX** according to the certify Notarized attestation dated 26th November, 1998.



REGISTRATION OF ASSIGNMENT UNDER SECTION 55(2) RULE 37(b)
OF THE PATENTS ORDINANCE 2000

In the matter of Patent No. 136407 of 20-5-1998, Granted to:- **Arzneimittelwerk Dresden GmbH**, Meissner Strasse 35, 01445 radebeul, Germany, a German Company, and later on assigned to Elbion AG (a German company), of Meissner Strasse 191, 01445 radebeul, Germany.

In pursuance of an application received on 22-4-2008

The following entry has been made in the Register of Patents:-

Boehringer Ingelheim Vetmedica GmbH, of Binger StraBe 173, 55216 Ingelheim, Germany. as proprietor by virtue of Deed of Assignment dated 17th September, 2007 made between **Elbion GmbH**, as Assignor of the **ONE PART** and **Boehringer Ingelheim Vetmedica GmbH**, the Assignee of the **OTHER PART**.

REGISTRATION OF ASSIGNMENT UNDER SECTION 55(1) RULE 37(a)
OF THE PATENTS ORDINANCE 2000

In the matter of Patent No. 138900 of 30-04-2004 Priority Date 02-05-2003 (Germany) Granted to:- **BAYER HEALTHCARE AG**, (a German company), of 51368 Leverkusen, Germany.

In pursuance of an application received on 12-5-2008.

The following entry has been made in the Register of Patents:-

AiCuris GmbH & Co. KG, (a German company), of Friedrich – Ebert- Str. 475, 42117 Wuppertal, Germany. as proprietor by virtue of Deed of Assignment dated 28th march, 2007 made between **BAYER HEALTHCARE AG**, as Assignor of the **ONE PART** and **AiCuris GmbH & Co. KG**, the Assignee of the **OTHER PART**.

**REGISTRATION OF ASSIGNMENT UNDER SECTION 55 (2) RULE
37(b) OF THE PATENTS ORDINANCE 2000**

In the matter of Patent No. 135518 of 30-10-1996, Granted to:-Enron LNG Development Corporation (a company formed under the laws of the State of Delaware) of 333 Clay Street; Suite 1800 Houston, Texas 77002 and later on assigned to Williams Energy Marketing and Trading Company (a Delaware Corporation), of One Williams Centre, Suite 4100, Tulsa, Oklahoma 74172 United States of America and whose name was changed to Williams Power Company INC.

In pursuance of an application received on 11-3-2008.

The following entry has been made in the Register of Patents:-

Sea NG Management Corporation (a company incorporated pursuant to the laws of Alberta), of 720, 101-6th Avenue SW, Calgary, Alberta T2P 3P4. as proprietor by virtue of Deed of Assignment dated 10th August, 2005 made between **William Power Company, Inc,** as Assignor of the **ONE PART** and **Sea NG Management Corporation,** the Assignee of the **OTHER PART.**

*PROCEEDING UNDER SECTION 54(1) RULE 36(1) FOR CHANGE
OF NAME IN THE REGISTER OF PATENTS.*

In the matter of Patent No. 135518, dated : 30-10-1996: Granted to :- Enron LNG Development Corporation (a company formed under the laws of the State of Delaware 333 Clay Street, Suite 1800, Houston, Texas 77002, United States of America and later on assigned to WILLIAMS ENERGY MARKETING AND TRADING COMPANY (a Delaware corporation), of one Williams Centre, Suit 4100, Tulsa, Oklohome 74172, United States of America and later whose name was changed to Williams Power Company Inc and them again assigned to Sea NG Management Corporation (a company incorporated pursuant to the laws of Alberta), of 720, 101-6th Avenue SW, Calgary, Alberta T2P 3P4.

In pursuance of an application received on 11th March 2008.

The following entry has been made in the Register of Patents. The Name of

the Patentee has been changed to: **Sea NG Management Corporation.**

SEALING FEES DUE

Notice is hereby given that the Patent may now be sealed on the application referred to below if it is desired that Patent should be sealed a request on the prescribed Form-10 accompanied by the fee of Rs.2250/- should be sent to the Controller of Patents and Designs, The Patent Office, Karachi.

139377	F. Hoffmann-La Roche AG, Switzerland	310/1996
139378	Bayer Aktiengesellschaft, Germany	489/1996
139379	UCB, S.A., Belgium	472/1997
139380	Wyeth Holdings Corporation, USA	529/1997
139381	Boehringer Ingelheim Pharma GmbH & Co. KG., Germany	942/1998
139382	Athena NeuroSciences, Inc., USA	1223/1999
139383	Eli Lilly and Company, USA	223/1999
139384	Zeneca Limited, England	647/1999
139385	1. Syngenta Limited, UK 2. Shionogi & Co. Ltd., Japan	108/2000
139386	F. Hoffmann-La Roche AG, Switzerland	641/2000
139387	Novartis AG, Switzerland	1129/2000
139388	Merck Patent GmbH, Germany	101/2001
139389	Glaxo Group Limited, UK	897/2001
139390	Daiichi Pharmaceutical Co. Ltd.,	1213/2001

139391	Japan AstraZeneca AB, Sweden	101/2002
139392	AstraZeneca AB, Sweden	191/2002
139393	Pfizer Products Inc., USA	343/2002
139394	Saechsisches Serumwerk Dresden Branch of SmithKline Beecham Pharma GmbH & Co. KG, Germany	458/2002
139395	Eli Lilly and Company, USA	463/2002
139396	Aventis Pharma S.A., France	557/2002
139397	F. Hoffmann-La Roche AG, Switzerland	663/2002
139398	Recordati Ireland Limited, Ireland	700/2002
139399	Syngenta Participations AG, Switzerland	835/2002
139400	Bayer CropScience S.A., France	894/2002
139401	Merck & Co. Inc., USA	1031/2002
139402	Bristol-Myers Squibb Company, USA	1132/2002
139403	Pfizer Products Inc., USA	1095/2003

(Mrs. Yasmeen Abbasi)
CONTROLLER OF PATENTS
 Tel: 9215488